
19" 1U 48F SC Singlemode Sliding Fibre Patch Panel



Description

1U 19" fibre patch panel equipped with SC connectors to offer an economical, high-density fibre termination solution that doesn't take up much space. These compact patch panels mount easily in any standard 19" rack or cabinet to provide efficient and easy management of fibre optic cables.

The tray is locked in place with two simple to operate plastic latches, when fully extended the tray is designed to lower to 45°, or move the tray to the side and it will lock to lower only 10°. This provides the perfect working platform for simple installation or easy maintenance and access even after the panel is installed in the rack.

Features

- Recessed adaptors provide improved fibre management
- No exposed screws
- Screen printed for easy labelling
- 45 degree working angle
- Rear cable entry options
- Panel numbers and rack number identifications labels
- High quality finish, no sharp edges
- Easy style mounting ears, with fixing points for universal front management
- New slot feature allows direct attachment of pre-terminated FastFibre manifold.
- Enables gland to be installed with panel in the rack.
- Enables tray to be removed and installed with the panel in the rack.

PART NUMBERS:

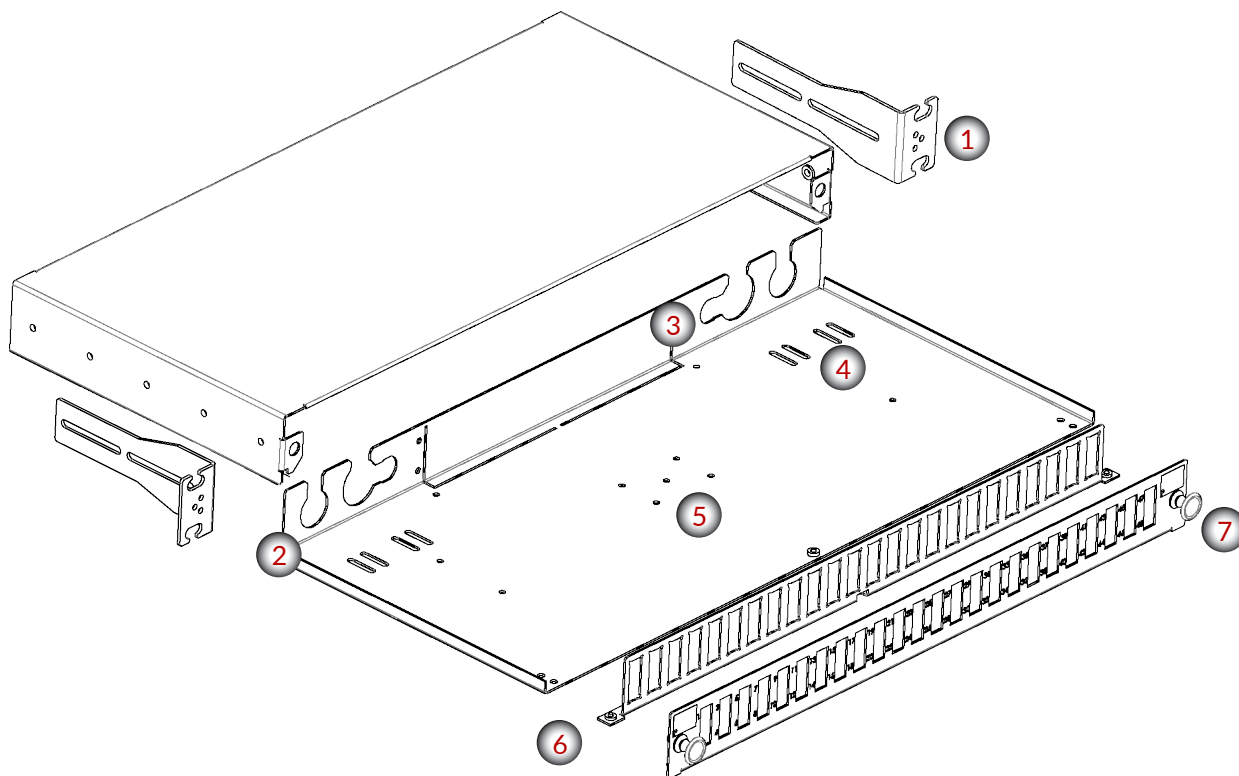
PLSS-SC-SM-48-4	PLSS-SCAPC-SM-48-4
PLSS-SC-SM-48-8	PLSS-SCAPC-SM-48-8
PLSS-SC-SM-48-12	PLSS-SCAPC-SM-48-12
PLSS-SC-SM-48-16	PLSS-SCAPC-SM-48-16
PLSS-SC-SM-48-24	PLSS-SCAPC-SM-48-24
PLSS-SC-SM-48-48	PLSS-SCAPC-SM-48-48

1U FIBRE PATCH PANEL

TECHNICAL SPECIFICATIONS

Height x Width x Depth	1U 44.4mm x 482mm x 205mm
Net Weight	2.4kg
Packaged Weight	3kg
Packaged Dimensions	(H) 55m x (W) 530mm x (D) 260mm
IP Rating	20
Adaptor Type	SC Duplex (48 Fibre)
Mounting Adjustment Range	50mm
Cable Entry 20mm	2
Cable Entry 25mm	2
Easy Slot	2
Material Thickness	1.2mm cold rolled steel
Material Coating	Electrostatic Powder Coating
Colour	Black RAL 9004
Operating Temperature	-40°c to +60°c
Compliant to	This product conforms to the material requirements of RoHS2, REACH/SvHC
Designed in accordance with	TIA/EIA 568A.C, ISO/IEC 11801, EN50173, IEC 60304, IEC 61754, EN297-1

1. Easy install style mounting ears with fixing points for universal front management
2. M20 cable entry more commonly used, moved to exterior to improve routing into panel
3. Easy slot feature allows direct attachment of FastFibre breakout manifold
4. Strength member tie point mounting positions or bend radius management
5. Centre post or DIN style splice tray mounting positions
6. New inner recessed plate designed to hold adaptors tighter (no screws)
7. Pull, push mechanism to lock and release sliding panel



1U FIBRE PATCH PANEL

Quick to Install



Step 1 - insert cage nuts to both left & right mounting profiles



Step 2 - insert screws to both bottom cage nuts - do not tighten



Step 3 - slot the easy install ears to the bottom screws



Step 4 - insert the top screws and tighten all screws



Optional - 1U retro fit front cable management, this manages the front patching field and provides bend radius protection.



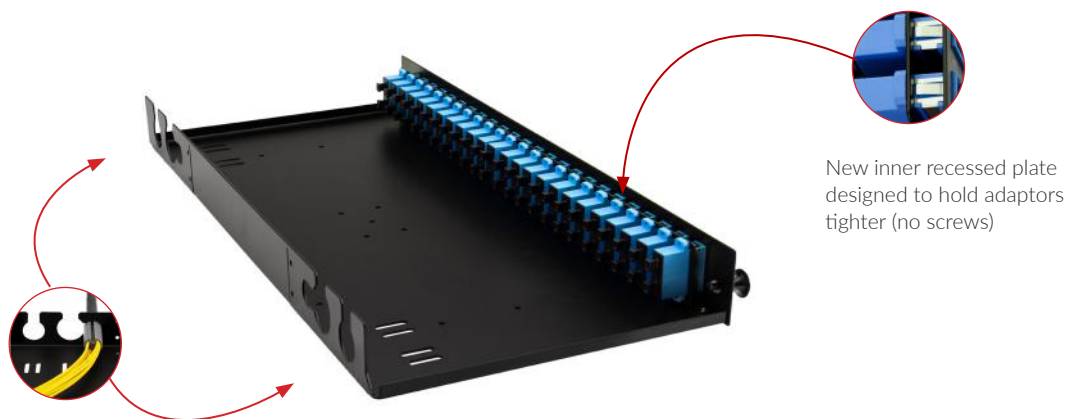
Optional - 1U easy fit management door, with large labelling area on the inside of the door.



1U front cabling management and door, retrofittable with large discreet labelling area on the inside of the door. This manages the front patching field and provides bend radius protection.

1U FIBRE PATCH PANEL

Sliding Tray



M20 cable entry more commonly used, moved to exterior to improve routing of cable into panel, New easy slot feature allows direct attachment of FastFibre breakout manifold, locks directly into place.



When moved to the side the rear will pass the latch point to allow the tray to be removed with the gland in the rear, with existing products, the gland can only be fitted with the entire panel removed from the rack and then the tray removed.

Accessories



Pigtails



Splice Protectors



Splice Cassette



Splice Bridge



Bunny Ears



Cable Glands



Pen Style Fibre Core Cleaner

Features:

- A simple single-action cleaning system (push/release)
- Audible CLICK to alert the user when tool is fully engaged
- Over 800+ cleans per unit
- Dry cleaning strand eliminates the need for solvents to be effective